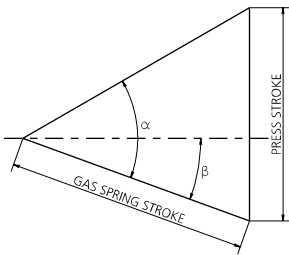
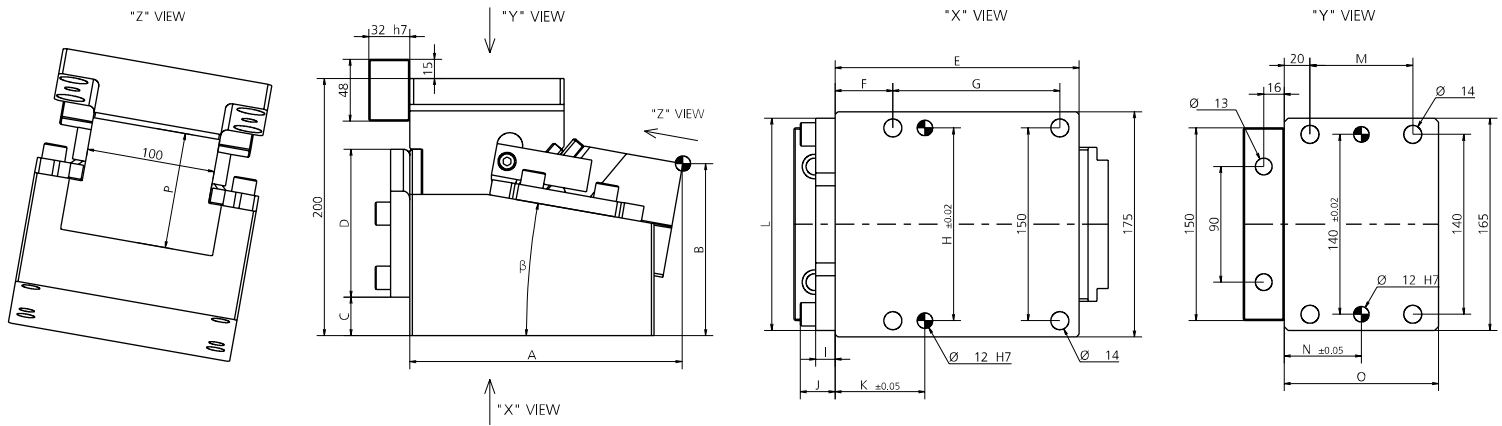


POS.	DESCRIPTION	Q.TY
001	CORPO CAMMA / CAM BODY / GRUNDGEHÄUSE	1
002	SLITTA / SLIDER / LAGERKEIL	1
003	CUNEO / WEDGE / DRÜCKKEIL	1
004	STAFFA DI AGGANCIO / BRACKET ATTACHMENTS / BRACKETBEFESTIGUNG	1
005	PIASTRA DI SCORRIMENTO / WEAR PLATE / DRUCKPLATTE	1
006	PIASTRA DI SCORRIMENTO / WEAR PLATE / DRUCKPLATTE	1
007	PIASTRA DI SCORRIMENTO / WEAR PLATE / DRUCKPLATTE	1
008	PIASTRA DI SCORRIMENTO / WEAR PLATE / DRUCKPLATTE	2
009	PIASTRINA / PLATE / PLATTE	1

POS.	DESCRIPTION	Q.TY
010	CHIAVETTA / KEY / SCHLÜSSEL	1*OPTION
011	VITE / SCREW / SCHRAUBE M12X30	4
012	VITE / SCREW / SCHRAUBE M12X35	6
013	VITE / SCREW / SCHRAUBE M8X20	2
014	VITE / SCREW / SCHRAUBE M10X16	6
015	VITE / SCREW / SCHRAUBE M10X25	4
016	VITE / SCREW / SCHRAUBE M6X8	2
017	CILINDRO AD AZOTO / NITROGEN CYLINDER / STICKSTOFFZYLINDER	2



CODE	β	α	CAM STROKE	PRESS STROKE	EXTRACTION FORCE (daN)	CUTTING FORCE (daN)
0152.1040-00	0°	45°	40	40	460	7500
0152.1060-00	0°	45°	60	60	590	7500
0152.1080-00	0°	45°	80	80	680	7500
0152.1045-05	5°	60°	45	67.94	460	8200
0152.1070-05	5°	60°	70	105.69	610	8200
0152.1045-10	10°	60°	45	60.63	460	8200
0152.1070-10	10°	60°	70	94.31	610	8200
0152.1045-15	15°	60°	45	55.11	460	8200
0152.1070-15	15°	60°	70	85.73	610	8200
0152.1045-20	20°	60°	45	50.87	460	8200
0152.1070-20	20°	60°	70	79.14	610	8200



CODE	β	A	B	C	D	E	F	G	H	I	J	K	L	M	N	O	P
0152.1040-00	0°	190	150	30	90	190	45	130	140	16	28	105	170	80	60	120	100
0152.1060-00	0°	210	150	30	90	190	45	130	140	16	28	105	170	100	70	140	100
0152.1080-00	0°	250	150	10	115	220	45	160	140	15	27	135	165	110	75	150	100
0152.1045-05	5°	172.22	145.28	27.5	115	160	40	105	140	15	27	90	165	60	50	100	90
0152.1070-05	5°	207.08	147.23	30	115	190	45	130	150	15	27	70	165	80	60	120	90
0152.1045-10	10°	178.12	134.98	30	115	160	40	105	140	15	27	90	165	60	50	100	90
0152.1070-10	10°	212.59	133.9	30	115	190	45	130	150	15	27	70	165	80	60	120	90
0152.1045-15	15°	182.67	129.23	32.5	115	160	40	105	140	15	27	90	165	70	55	110	90
0152.1070-15	15°	216.48	130.17	35	115	190	45	130	150	15	27	70	165	90	65	130	90
0152.1045-20	20°	185.83	118.14	35	115	160	40	105	140	15	27	90	165	70	55	110	90
0152.1070-20	20°	218.72	121.17	45	115	190	45	130	150	15	27	70	165	90	65	130	90