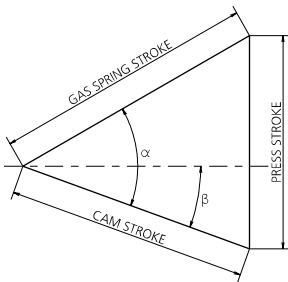
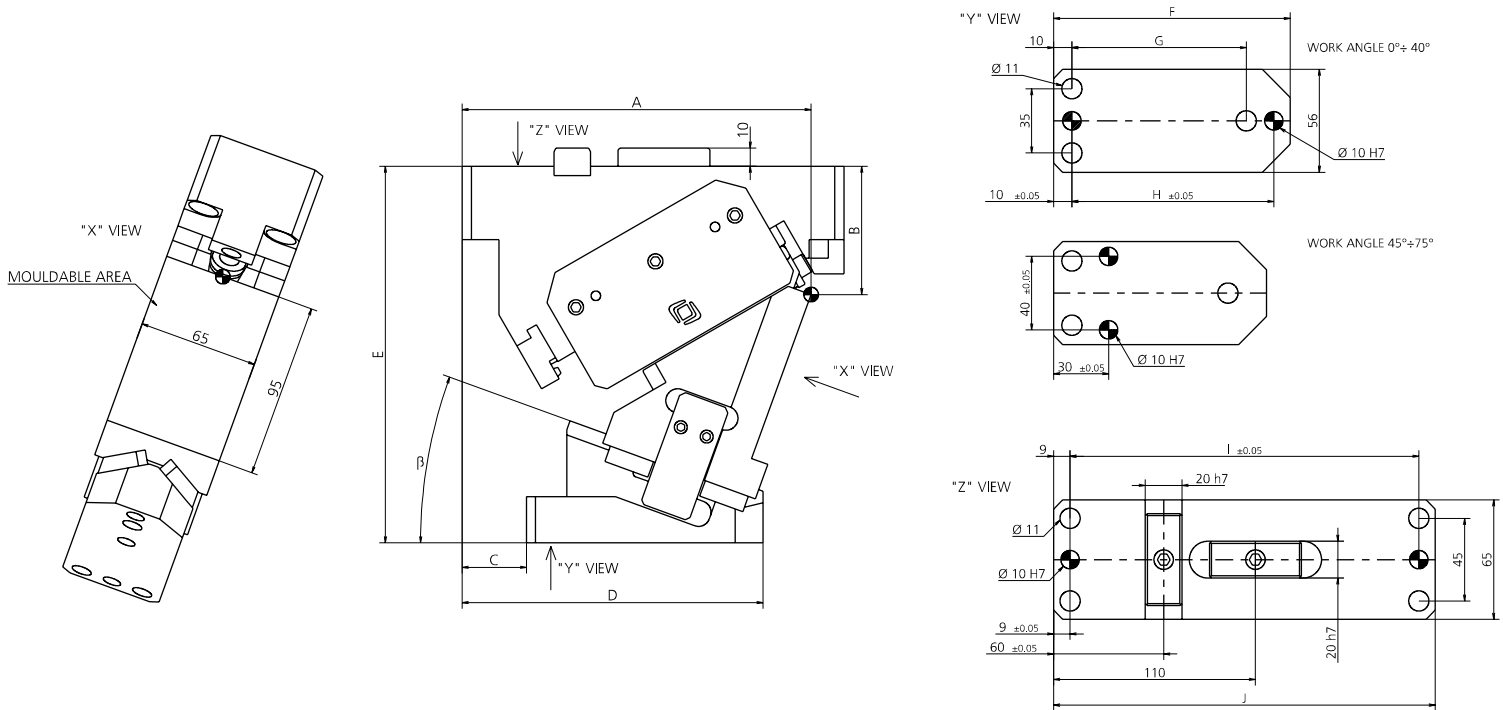


POS.	DESCRIPTION	Q.TY
001	CUNEO / WEDGE / DRUCKKEIL	1
002	SLITTA / SLIDER / LAGERKEIL	1
003	CORPO CAMMA / CAM BODY / GRUNDGEHÄUSE	1
004	STAFFA DI AGGANCIO / BRACKET ATTACHMENTS / BRACKETBEFESTIGUNG	2
005	PIASTRINA / PLATE / PLATTE	1
006	DISTANZIALE / SPACER / ABSTANDSHALTER	1
007	DISTANZIALE / SPACER / ABSTANDSHALTER	1
008	STAFFA / BRACKET / BRACKET	2
009	CHIAVETTA / KEY / SCHLÜSSEL	2

POS.	DESCRIPTION	Q.TY
010	PIASTRA DI SCORRIMENTO / WEAR PLATE / DRUCKPLATTE	2
011	PIASTRA DI SCORRIMENTO / WEAR PLATE / DRUCKPLATTE	2
012	CILINDRO AD AZOTO / NITROGEN CYLINDER / STICKSTOFFZYLINDER	1
013	PUNTALINO / BUMP STOP / STOSSDÄMPFERSPITZE	2
014	SENSORE DI SICUREZZA / SECURITY SENSOR / SENSOR FÜR SICHERHEIT	1*OPTION
015	PIASTRINA / PLATE / PLATTE	1
016	PIASTRINA / PLATE / PLATTE	1
017	FINECORSA / LIMIT SWITCHES / ENDSCHALTER	1



$\beta$	$\alpha$	PRESS STROKE	GAS SPRING STROKE	CAM STROKE	EXTRACTION FORCE (daN)	CUTTING FORCE (daN)
0°	50°	34.5	45	28.9	560	21000
5°	50°	34.5	45	31.9	560	21200
10°	50°	35.0	45	35.0	580	21400
15°	50°	35.69	45	38.16	580	21400
20°	50°	36.68	45	41.47	610	21600
25°	50°	38.0	45	45.0	610	21600
30°	50°	39.8	45	48.83	630	21800
35°	50°	42.08	45	53.06	630	21800
40°	50°	45.0	45	57.85	630	22000
45°	50°	48.75	45	63.4	650	22200
50°	50°	35.75	30	46.6	650	22200
55°	55°	42.85	30	52.3	650	22400
60°	60°	39.8	23	46.0	660	22600
65°	65°	49.3	23	54.4	660	22800
70°	70°	37.0	13.5	39.5	680	23000
75°	75°	50.4	13.5	52.16	680	23000



CODE	$\beta$	A	B	C	D	E	F	G	H	I	J
<b>0153.0065-00</b>	0°	170.88	65	44	180	200	136	95	115	164	183
<b>0153.0065-05</b>	5°	179.54	57.5	55	175	200	120	80	100	173	191
<b>0153.0065-10</b>	10°	179.7	59.37	40	175	205	135	100	115	175	195
<b>0153.0065-15</b>	15°	186.81	59.53	40	160	200	120	85	100	183	201
<b>0153.0065-20</b>	20°	190.11	69.84	35	164	205	129	95	110	190	208
<b>0153.0065-25</b>	25°	194.23	68.75	30	154	195	124	80	100	195	213
<b>0153.0065-30</b>	30°	195.12	71.6	25	154	195	129	90	105	195	213
<b>0153.0065-35</b>	35°	195.51	75.18	10	130	190	120	80	95	200	218
<b>0153.0065-40</b>	40°	194.77	85.49	0	120	195	120	80	95	197	215
<b>0153.0065-45</b>	45°	193.55	86.14	0	116	195	116	85	0	197	215
<b>0153.0065-50</b>	50°	164.18	94.49	-22	78	190	100	60	0	172	190
<b>0153.0065-55</b>	55°	175.74	120.29	-8	82	200	90	45	0	172	190
<b>0153.0065-60</b>	60°	176.87	121.2	-5	80	200	85	50	0	172	190
<b>0153.0065-65</b>	65°	180.09	131.37	-5	80	195	85	40	0	172	190
<b>0153.0065-70</b>	70°	183.0	142.17	-5	80	200	85	36	0	172	190
<b>0153.0065-75</b>	75°	183.62	144.44	-10	76	190	86	45	0	172	190

**14 PATENT PENDING**

14 (9003) SENSORE / SENSOR / SENSOR



MODELLO D'ORDINE / ORDER EXAMPLE / BESTELLBEISPIEL / MODÈLE DE COMMANDE

MODEL **0153.0065** INCLINAZIONE **-10°** OPTION CODE **9003.0002**