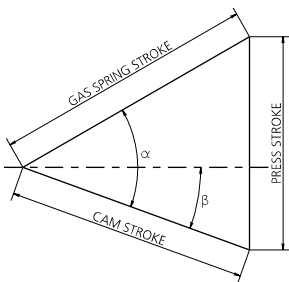
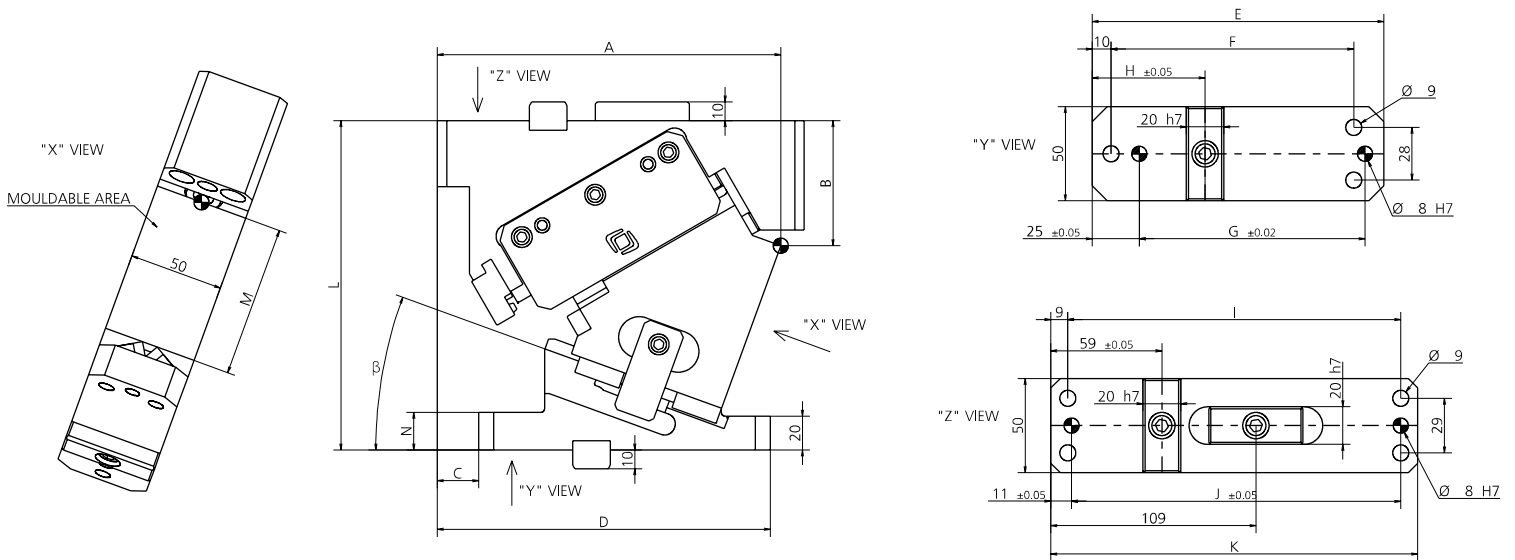


POS.	DESCRIPTION	Q.TY
001	CUNEO / WEDGE / DRUCKKEIL	1
002	SLITTA / SLIDER / LAGERKEIL	1
003	CORPO CAMMA / CAM BODY / GRUNDGEHÄUSE	1
004	STAFFA DI AGGANCO / BRACKET ATTACHMENTS / BRACKETBEFESTIGUNG	2
005	PIASTRINA / PLATE / PLATTE	1
006	DISTANZIALE / SPACER / ABSTANDSHALTER	1
007	STAFFA / BRACKET / BRACKET	2
008	CHIAVETTA / KEY / SCHLÜSSEL	3

POS.	DESCRIPTION	Q.TY
009	PIASTRA DI SCORRIMENTO / WEAR PLATE / DRUCKPLATTE	2
010	PIASTRA DI SCORRIMENTO / WEAR PLATE / DRUCKPLATTE	2
011	CILINDRO AD AZOTO / NITROGEN CYLINDER / STICKSTOFFZYLINDER	1
012	PUNTALINO / BUMP STOP / STOSSDÄMPFERSPITZE	2
013	SENSORE DI SICUREZZA / SECURITY SENSOR / SENSOR FÜR SICHERHEIT	1*OPTION
014	PIASTRINA / PLATE / PLATTE	1
015	PIASTRINA / PLATE / PLATTE	1
016	FINECORSA / LIMIT SWITCHES / ENDSCHALTER	1



$\beta$	$\alpha$	PRESS STROKE	GAS SPRING STROKE	CAM STROKE	EXTRACTION FORCE (daN)	CUTTING FORCE (daN)
0°	50°	34.47	45	28.9	450	9200
5°	50°	34.6	45	31.9	480	9200
10°	50°	35.00	45	35	480	9200
15°	50°	35.69	45	38.2	480	9200
20°	50°	36.68	45	41.5	480	9200
25°	50°	38.04	45	45	480	9200
30°	50°	39.8	45	48.8	480	9200
35°	50°	42.08	45	53.1	480	9200
40°	50°	45	45	57.8	480	9200
45°	50°	48.75	45	63.4	480	9200
50°	50°	47.67	40	62.2	460	9200
55°	55°	48.56	34	59.3	470	9800
60°	60°	51.96	30	60	510	10400
65°	65°	53.61	25	59.2	530	11000
70°	70°	54.95	20	58.5	570	11000
75°	75°	55.98	15	58	610	11000



CODE	$\beta$	A	B	C	D	E	F	G	H	I	J	K	L	M	N
0150.0050-00	0°	170	57	38	193	155	129	120	60	162	160	180	175	68,5	20
0150.0050-05	5°	173.89	60.44	35	190	155	129	120	60	167	165	185	175	68,5	20
0150.0050-10	10°	177.66	64.77	32	187	155	129	120	60	172	170	190	175	68,5	20
0150.0050-15	15°	180.31	67.99	28	183	155	129	120	60	177	175	195	175	68,5	20
0150.0050-20	20°	180.87	71.09	22	177	155	129	120	60	177	175	195	175	68,5	20
0150.0050-25	25°	180.34	74.06	16	171	155	129	120	60	177	175	195	175	68,5	20
0150.0050-30	30°	180.72	76.89	10	165	155	129	120	60	179	177	197	175	68,5	20
0150.0050-35	35°	179.04	79.58	3	158	155	129	120	60	179	177	197	175	68,5	20
0150.0050-40	40°	176.31	83.12	-9	146	155	129	120	60	179	177	197	175	68,5	20
0150.0050-45	45°	172.54	85.51	-18	137	155	129	120	60	177	175	195	175	68,5	20
0150.0050-50	50°	161.73	93.74	-33	122	155	129	120	60	172	170	190	180	68,5	20
0150.0050-55	55°	168.28	97.72	-39	116	155	129	120	45	172	170	190	185	75	80
0150.0050-60	60°	173.67	104.06	-49	106	155	129	120	45	172	170	190	190	85	80
0150.0050-65	65°	169.28	113.98	-53	92	145	119	110	45	172	170	190	195	90	80
0150.0050-70	70°	166.95	124.76	-63	72	135	109	100	45	172	170	190	195	100	90
0150.0050-75	75°	165.42	134.11	-68	67	135	109	100	45	172	170	190	195	100	90

**13 PATENT PENDING**

13 (9003) SENSORE / SENSOR / SENSOR



MODELLO D'ORDINE / ORDER EXAMPLE / BESTELLBEISPIEL / MODÈLE DE COMMANDE

MODEL **0150.0050** INCLINATION **-10°** OPTION CODE **9003.0002**