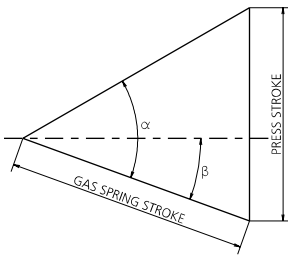
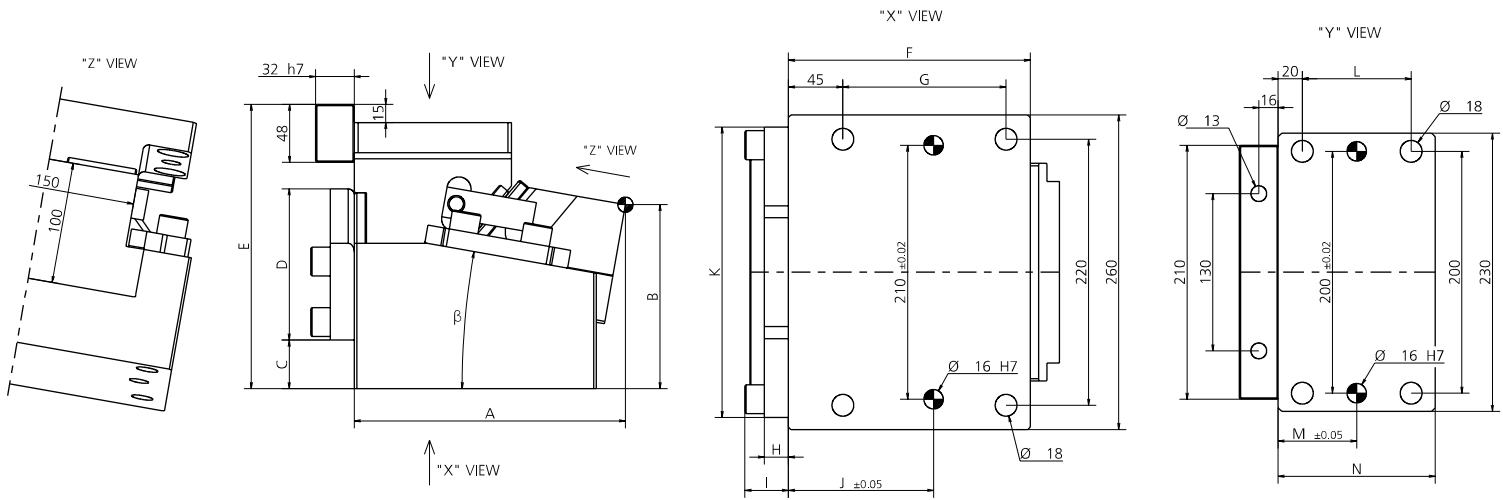


POS.	DESCRIPTION	Q.TY
001	CORPO CAMMA / CAM BODY / GRUNDGEHÄUSE	1
002	SLITTA / SLIDER / LAGERKEIL	1
003	CUNEO / WEDGE / DRUCKKEIL	1
004	STAFFA DI AGGANCIO / BRACKET ATTACHMENTS / BRACKETBEFESTIGUNG	1
005	PIASTRA DI SCORRIMENTO / WEAR PLATE / DRUCKPLATTE	2
006	PIASTRA DI SCORRIMENTO / WEAR PLATE / DRUCKPLATTE	1
007	PIASTRA DI SCORRIMENTO / WEAR PLATE / DRUCKPLATTE	2
008	PIASTRA DI SCORRIMENTO / WEAR PLATE / DRUCKPLATTE	1
009	PIASTRINA / PLATE / PLATTE	1

POS.	DESCRIPTION	Q.TY
010	CHIAVETTA / KEY / SCHLÜSSEL	1*OPTION
011	VITE / SCREW / SCHRAUBE M16X40	4
012	VITE / SCREW / SCHRAUBE M16X45	6
013	VITE / SCREW / SCHRAUBE M8X20	2
014	VITE / SCREW / SCHRAUBE M10X20	7
015	VITE / SCREW / SCHRAUBE M10X25	4
016	VITE / SCREW / SCHRAUBE M6X12	2
017	CILINDRO AD AZOTO / NITROGEN CYLINDER / STICKSTOFFZYLINDER	2
018	PIASTRA DI SCORRIMENTO / WEAR PLATE / DRUCKPLATTE	1



CODE	$\beta$	$\alpha$	CAM STROKE	PRESS STROKE	EXTRACTION FORCE (daN)	CUTTING FORCE (daN)
0152.1540-00	0°	45°	40	40	570	12000
0152.1560-00	0°	45°	60	60	590	12700
0152.1545-05	5°	60°	45	67.94	460	12700
0152.1570-05	5°	60°	70	105.69	660	12700
0152.1545-10	10°	60°	45	60.63	460	12700
0152.1570-10	10°	60°	70	94.31	660	12700
0152.1545-15	15°	60°	45	55.11	460	12700
0152.1570-15	15°	60°	70	85.73	660	12700
0152.1545-20	20°	60°	45	50.87	460	12700
0152.1570-20	20°	60°	70	79.14	660	12700



CODE	$\beta$	A	B	C	D	E	F	G	H	I	J	K	L	M	N
<b>0152.1540-00</b>	0°	190	170	45	100	220	190	125	19	35	105	250	80	60	120
<b>0152.1560-00</b>	0°	210	170	45	100	220	200	135	19	35	110	250	100	70	140
<b>0152.1545-05</b>	5°	193.01	158.5	30	125	220	190	125	20	36	105	240	70	55	110
<b>0152.1570-05</b>	5°	217.92	166.32	40	125	220	200	135	20	36	120	240	90	65	130
<b>0152.1545-10</b>	10°	199.55	151.36	40	125	220	190	125	20	36	105	240	70	55	110
<b>0152.1570-10</b>	10°	224.17	152.02	40	125	220	200	135	20	36	120	240	90	65	130
<b>0152.1545-15</b>	15°	204.58	143.71	40	125	220	190	125	20	36	105	240	80	60	120
<b>0152.1570-15</b>	15°	228.73	152.24	55	125	230	200	135	20	36	120	240	100	70	140
<b>0152.1545-20</b>	20°	208.05	135.7	40	125	220	190	125	20	36	105	240	80	60	120
<b>0152.1570-20</b>	20°	231.54	137.15	55	125	230	200	135	20	36	120	240	100	70	140