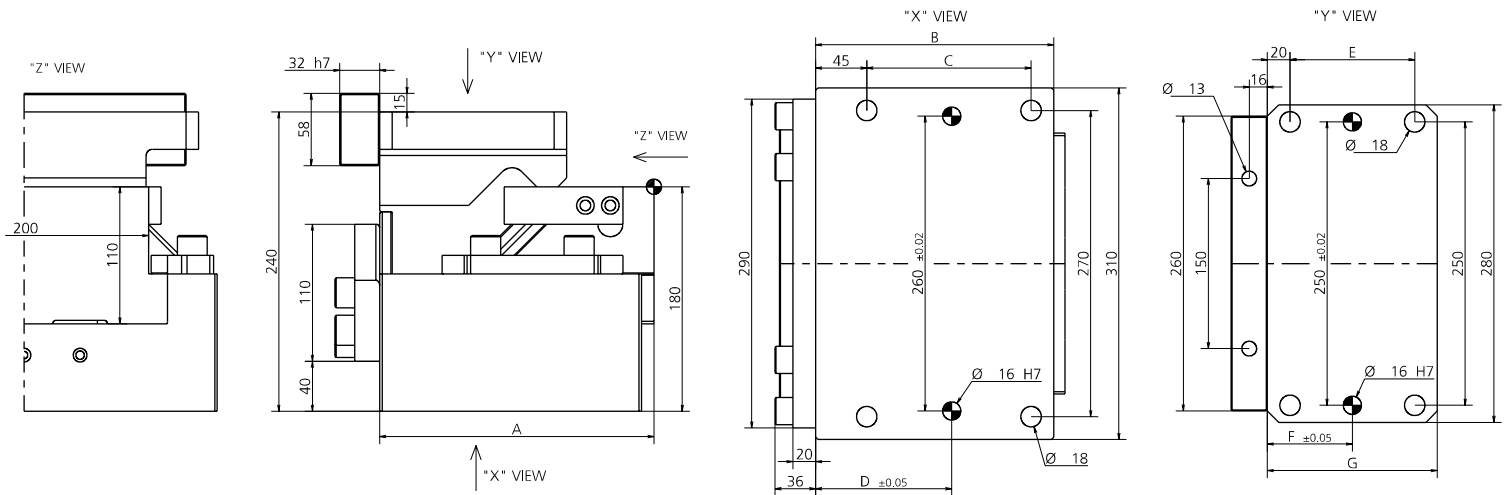


POS.	DESCRIPTION	Q.TY
001	CORPO CAMMA / CAM BODY / GRUNDGEHÄUSE	1
002	SLITTA / SLIDER / LAGERKEIL	1
003	CUNEO / WEDGE / DRUCKKEIL	1
004	STAFFA DI AGGANCIO / BRACKET ATTACHMENTS / BRACKETBEFESTIGUNG	1
005	STAFFA DI AGGANCIO / BRACKET ATTACHMENTS / BRACKETBEFESTIGUNG	1
006	PIASTRA DI SCORRIMENTO / WEAR PLATE / DRUCKPLATTE	1
007	PIASTRA DI SCORRIMENTO / WEAR PLATE / DRUCKPLATTE	1
008	PIASTRA DI SCORRIMENTO / WEAR PLATE / DRUCKPLATTE	2
009	PIASTRA DI SCORRIMENTO / WEAR PLATE / DRUCKPLATTE	1
010	PIASTRA DI SCORRIMENTO / WEAR PLATE / DRUCKPLATTE	2

POS.	DESCRIPTION	Q.TY
011	PIASTRINA / PLATE / PLATTE	1
012	CHIAVETTA / KEY / SCHLÜSSEL	1*OPTION
013	VITE / SCREW / SCHRAUBE M16X40	4
014	VITE / SCREW / SCHRAUBE M16X45	6
015	VITE / SCREW / SCHRAUBE M8X20	4
016	VITE / SCREW / SCHRAUBE M10X20	8
017	VITE / SCREW / SCHRAUBE M10X25	4
018	VITE / SCREW / SCHRAUBE M6X30	3
019	CILINDRO AD AZOTO / NITROGEN CYLINDER / STICKSTOFFZYLINDER	3
020	PIASTRA DI SCORRIMENTO / WEAR PLATE / DRUCKPLATTE	1



CODE	A	B	C	D	E	F	G	CAM STROKE	PRESS STROKE	EXTRACTION FORCE (daN)	CUTTING FORCE (daN)
<b>0152.2040-00</b>	200	200	135	110	90	65	130	40	40	860	17600
<b>0152.2060-00</b>	220	210	145	120	110	75	150	60	60	1010	17600

MODELLO D'ORDINE / ORDER EXAMPLE / BESTELLBEISPIEL / MODÈLE DE COMMANDE

MODEL **0152.2040** INCLINATION **0°**