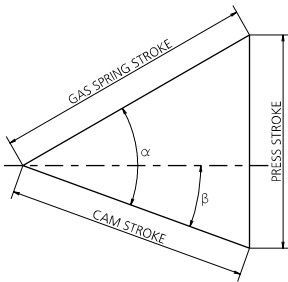
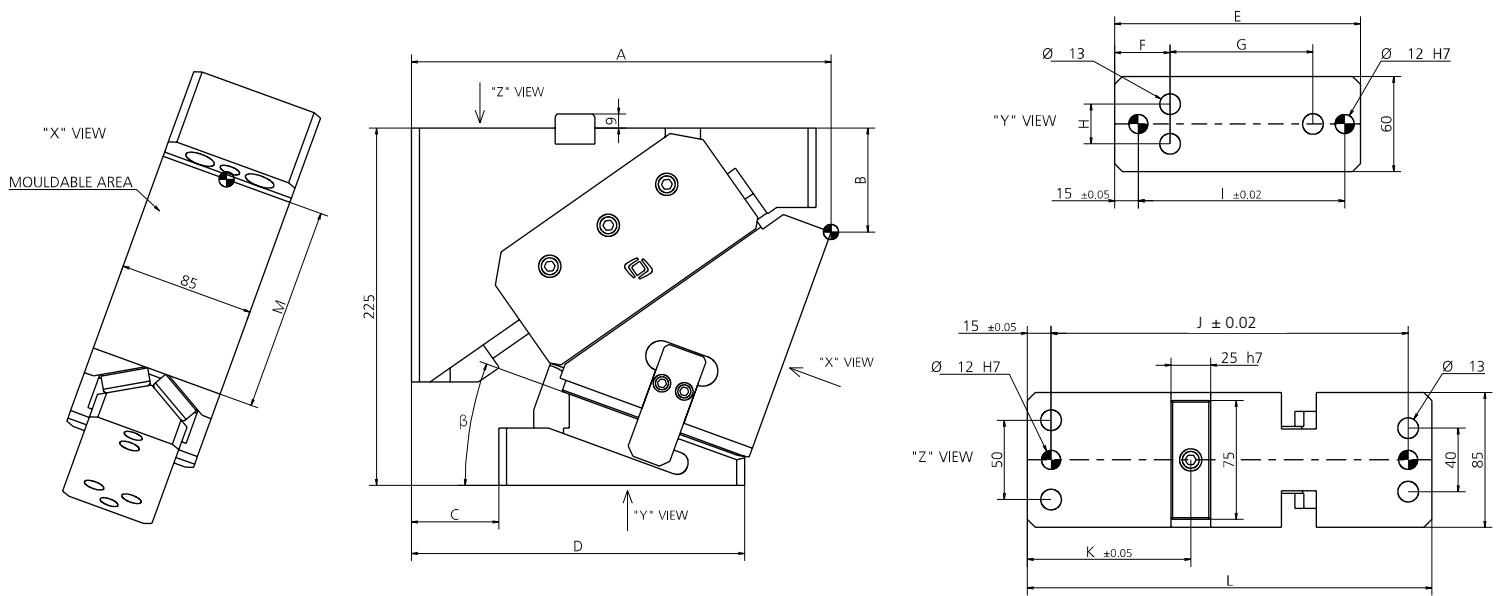


POS.	DESCRIPTION	Q.TY
001	CUNEO / WEDGE / DRUCKKEIL	1
002	SLITTA / SLIDER / LAGERKEIL	1
003	CORPO CAMMA / CAM BODY / GRUNDGEHÄUSE	1
004	STAFFA DI AGGANCO / BRACKET ATTACHMENTS / BRACKETBEFESTIGUNG	2
005	PIASTRINA / PLATE / PLATTE	1
006	DISTANZIALE / SPACER / ABSTANDSHALTER	1
007	STAFFA / BRACKET / BRACKET	2

POS.	DESCRIPTION	Q.TY
008	CHIAVETTA / KEY / SCHLÜSSEL	1
009	FINECORSO / LIMIT SWITCHES / ENDSCHALTER	1
010	PIASTRA DI SCORRIMENTO / WEAR PLATE / DRUCKPLATTE	2
011	CILINDRO AD AZOTO / NITROGEN CYLINDER / STICKSTOFFZYLINDER	1
012	PUNTALINO / BUMP STOP / STOSSDÄMPFERSPITZE	2
013	SENSORE DI SICUREZZA / SECURITY SENSOR / SENSOR FÜR SICHERHEIT	1*OPTION
014	PIASTRA DI SCORRIMENTO / WEAR PLATE / DRUCKPLATTE	2



β	α	PRESS STROKE	GAS SPRING STROKE	CAM STROKE	EXTRACTION FORCE (daN)	CUTTING FORCE (daN)
0°	50°	36.77	48	30.85	1000	23000
5°	50°	36.91	48	34.07	1000	23000
10°	55°	39.93	48	34.46	1050	23000
15°	55°	40.71	48	38.07	1050	23000
20°	55°	41.84	48	41.84	1050	23000
25°	60°	45.87	48	43.38	1100	22900
30°	60°	48	48	48	1100	22900
35°	65°	53.11	48	50.75	1140	22900
40°	65°	56.79	48	56.79	1140	23700
45°	70°	43.85	33	42.3	1150	24500
50°	70°	48.24	33	48.24	1150	25300
55°	75°	55.57	33	54.06	1180	26100
60°	75°	63.75	33	63.75	1180	26900
65°	80°	76.9	33	75.42	1190	27700
70°	80°	95.02	33	95.02	1190	28500
75°	85°	96.23	25	95.13	1200	29300



CODE	β	A	B	C	D	E	F	G	H	I	J	K	L	M
0150.0085-00	0°	238	60	55	230	175	35	90	25	130	225	82	255	120
0150.0085-05	5°	243.28	64.18	55	225	170	35	90	25	130	225	88	255	120
0150.0085-10	10°	247.73	73.75	55	215	160	35	90	25	130	225	88	255	120
0150.0085-15	15°	252.64	78.77	55	210	155	35	90	25	130	225	97	255	120
0150.0085-20	20°	259.24	79.51	55	210	155	35	90	25	130	225	103	255	120
0150.0085-25	25°	262.37	90.08	40	195	155	35	90	25	130	255	103	285	120
0150.0085-30	30°	272.11	87.71	40	195	155	35	90	25	130	255	112	285	120
0150.0085-35	35°	277.45	94.87	40	195	155	35	90	25	130	255	112	285	120
0150.0085-40	40°	282.59	102.49	40	195	155	35	90	25	130	255	122.5	285	120
0150.0085-45	45°	245.4	117.6	0	150	150	35	70	25	110	235	92	265	120
0150.0085-50	50°	247.12	127.38	0	135	135	35	70	25	110	235	96.5	265	120
0150.0085-55	55°	263	126.74	0	135	135	35	70	25	110	235	96.5	265	120
0150.0085-60	60°	267.02	136.11	0	135	135	35	70	25	110	235	104	265	120
0150.0085-65	65°	257.06	147.15	0	126	126	35	60	25	100	235	104	265	120
0150.0085-70	70°	248.86	160.81	5	114	109	15	40	35	60	245	82.5	275	120
0150.0085-75	75°	251.61	181.07	5	114	109	15	40	35	60	245	82.5	275	120

13 PATENT PENDING

13 (9003) SENSORE / SENSOR / SENSOR



MODELLO D'ORDINE / ORDER EXAMPLE / BESTELLBEISPIEL / MODÈLE DE COMMANDE

MODEL **0150.0085** INCLINATION **-10°** OPTION CODE **9003.0002**