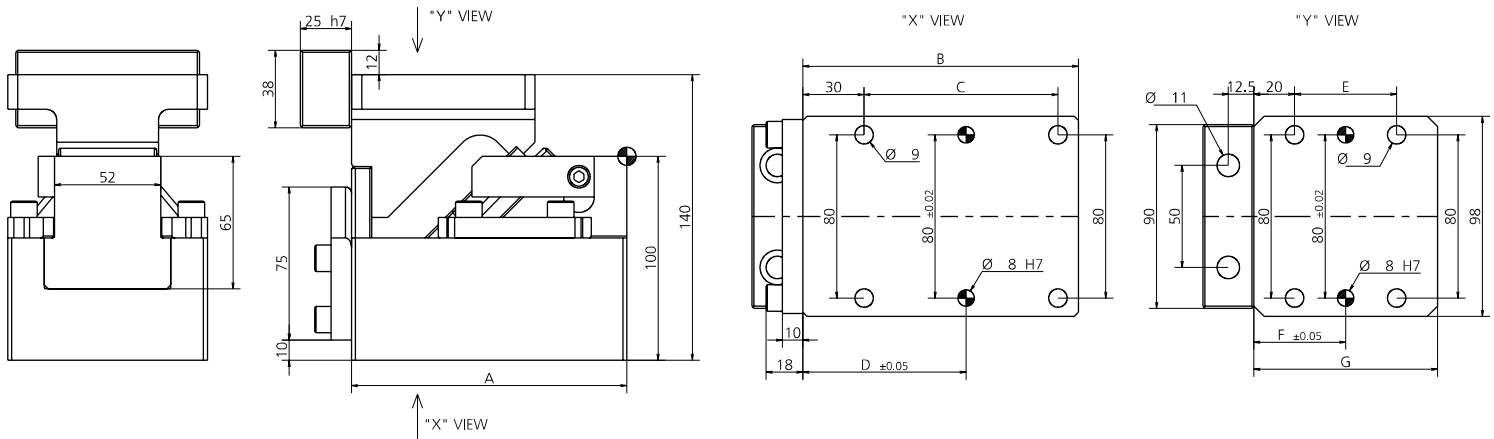


| POS. | DESCRIPTION | Q.TY | POS. | DESCRIPTION | Q.TY |
|------|---|------|------|-------------------------------|----------|
| 001 | CORPO CAMMA / CAM BODY / GRUNDGEHÄUSE | 1 | 009 | PIASTRINA / PLATE / PLATTE | 1 |
| 002 | SLITTA / SLIDER / LAGERKEIL | 1 | 010 | CHIAVETTA / KEY / SCHLÜSSEL | 1*OPTION |
| 003 | CUNEO / WEDGE / DRUCKKEIL | 1 | 011 | VITE / SCREW / SCHRAUBE M8X20 | 4 |
| 004 | STAFFA DI AGGANCIO / BRACKET ATTACHMENTS / BRACKETBEFESTIGUNG | 1 | 012 | VITE / SCREW / SCHRAUBE M8X25 | 4 |
| 005 | PIASTRA DI SCORRIMENTO / WEAR PLATE / DRUCKPLATTE | 2 | 013 | VITE / SCREW / SCHRAUBE M6X20 | 1 |
| 006 | PIASTRA DI SCORRIMENTO / WEAR PLATE / DRUCKPLATTE | 1 | 014 | VITE / SCREW / SCHRAUBE M8X16 | 6 |
| 007 | PIASTRA DI SCORRIMENTO / WEAR PLATE / DRUCKPLATTE | 1 | 015 | MOLLA / SPRING / FEDER | 2 |
| 008 | PIASTRA DI SCORRIMENTO / WEAR PLATE / DRUCKPLATTE | 1 | 016 | PERNO / PIN / STIFT | 2 |



| CODE | A | B | C | D | E | F | G | CAM STROKE | EXTRACTION FORCE (daN) | CUTTING FORCE (daN) |
|---------------------|-----|-----|-----|----|----|----|-----|------------|------------------------|---------------------|
| 0152.0525-00 | 120 | 120 | 80 | 70 | 40 | 40 | 80 | 25 | 62 | 3800 |
| 0152.0540-00 | 135 | 135 | 95 | 80 | 50 | 45 | 90 | 40 | 63 | 3800 |
| 0152.0560-00 | 180 | 180 | 140 | 55 | 70 | 55 | 110 | 60 | 65 | 3800 |