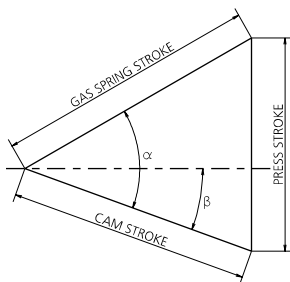
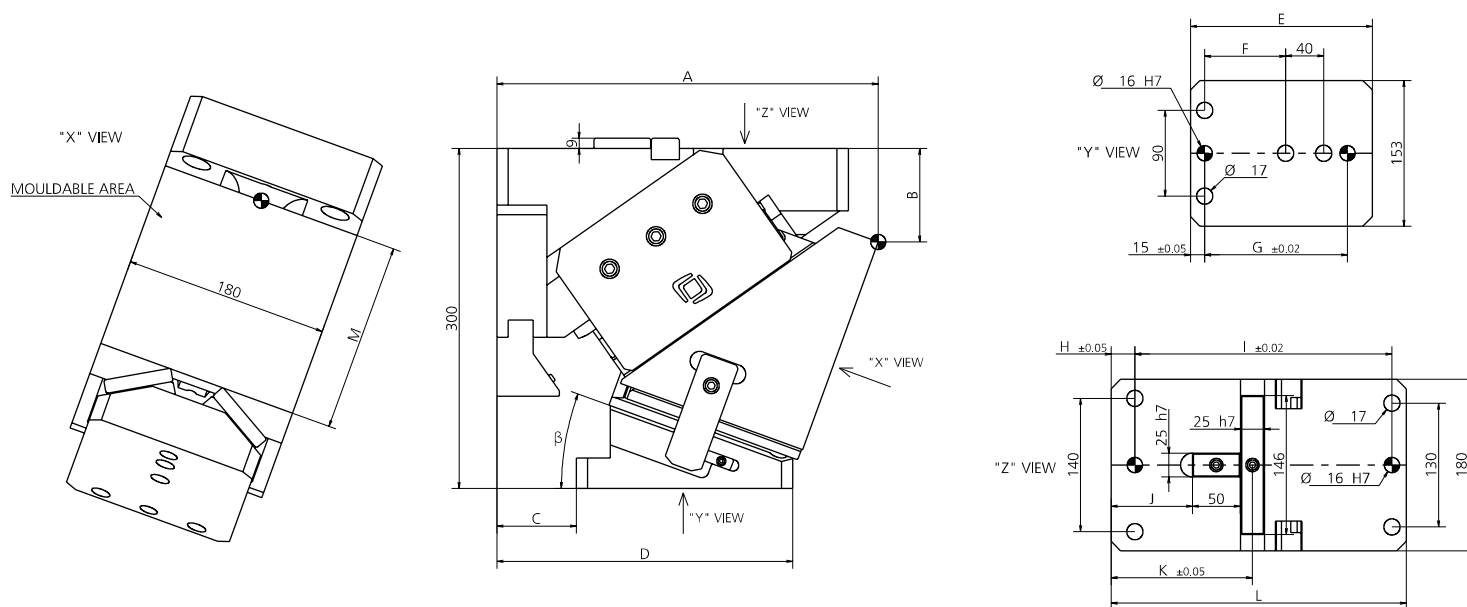


POS.	DESCRIPTION	Q.TY
001	CUNEO / WEDGE / DRUCKKEIL	1
002	SLITTA / SLIDER / LAGERKEIL	1
003	CORPO CAMMA / CAM BODY / GRUNDGEHÄUSE	1
004	STAFFA DI AGGANCIO / BRACKET ATTACHMENTS / BRACKETBEFESTIGUNG	2
005	PIASTRINA / PLATE / PLATTE	1
006	DISTANZIALE / SPACER / ABSTANDSHALTER	1
007	STAFFA / BRACKET / BRACKET	2
008	CHIAVETTA / KEY / SCHLÜSSEL	1
009	FINECORSA / LIMIT SWITCHES / ENDSCHALTER	2
010	PIASTRA DI SCORRIMENTO / WEAR PLATE / DRUCKPLATTE	2

POS.	DESCRIPTION	Q.TY
011	CILINDRO AD AZOTO / NITROGEN CYLINDER / STICKSTOFFZYLINDER	1
012	PUNTALINO / BUMP STOP / STOSSDÄMPFERSPITZE	2
013	SENSORE DI SICUREZZA / SECURITY SENSOR / SENSOR FÜR SICHERHEIT	1*OPTION
014	PIASTRA DI SCORRIMENTO / WEAR PLATE / DRUCKPLATTE	2
015	CHIAVETTA / KEY / SCHLÜSSEL	1
016	FINECORSA / LIMIT SWITCHES / ENDSCHALTER	1
017	PIASTRA DI SCORRIMENTO / WEAR PLATE / DRUCKPLATTE	2
018	PIASTRA DI SCORRIMENTO / WEAR PLATE / DRUCKPLATTE	2
019	CHIAVETTA / KEY / SCHLÜSSEL	2



β	α	PRESS STROKE	GAS SPRING STROKE	CAM STROKE	EXTRACTION FORCE (daN)	CUTTING FORCE (daN)
0°	50°	38.3	50	32.14	1620	47400
5°	50°	38.45	50	35.49	1620	48800
10°	55°	41.59	50	35.9	1730	50300
15°	55°	42.4	50	39.65	1730	51800
20°	55°	43.59	50	43.59	1730	53300
25°	60°	47.78	50	45.19	1820	54200
30°	60°	50	50	50	1820	54300
35°	65°	55.32	50	52.86	1890	54300
40°	65°	59.16	50	59.16	1890	55000
45°	70°	66.45	50	64.09	1950	55700
50°	70°	73.1	50	73.1	1950	56400
55°	75°	84.2	50	81.92	2000	57100
60°	75°	96.59	50	96.59	2000	57800
65°	80°	93.21	40	91.42	2020	58400
70°	85°	87.38	30	84.73	2040	59100
75°	85°	76.98	20	76.1	2030	59800



CODE	β	A	B	C	D	E	F	G	H	I	J	K	L	M
0150.0180-00	0°	298	65	70	290	220	85	150	25	270	54	117	310	160
0150.0180-05	5°	307.2	69.35	70	280	210	85	150	25	270	61.5	124.5	310	160
0150.0180-10	10°	313.81	89.28	70	270	200	85	150	25	270	69	132	310	160
0150.0180-15	15°	321.7	94.96	70	265	195	85	150	25	270	78	141	310	160
0150.0180-20	20°	329.51	101.32	70	261	191	85	150	25	270	85.5	148.5	310	160
0150.0180-25	25°	324.93	117.42	60	259	199	105	170	15	320	104.5	167.5	350	160
0150.0180-30	30°	352.11	125.39	60	259	199	105	170	15	320	112	175	350	160
0150.0180-35	35°	364.66	130.3	60	261	201	105	170	15	320	119.5	182.5	350	160
0150.0180-40	40°	371.87	144.51	60	257	197	105	170	15	320	127	190	350	160
0150.0180-45	45°	325.76	152.27	20	202	182	85	150	15	310	73	136	340	160
0150.0180-50	50°	332.72	168.31	20	199	179	85	150	15	310	79	142	340	160
0150.0180-55	55°	347.32	179.21	20	206	186	85	150	15	310	64.5	127.5	340	160
0150.0180-60	60°	353.59	197.11	20	202	182	85	150	15	310	71.5	134.5	340	160
0150.0180-65	65°	359.15	205.52	20	201	181	85	150	15	310	71.5	134.5	340	160
0150.0180-70	70°	334.26	226.1	0	168	168	70	135	15	310	71.5	134.5	340	160
0150.0180-75	75°	338.15	234.94	0	172	172	70	135	15	310	71.5	134.5	340	160

13 PATENT PENDING

13 (9003) SENSORE / SENSOR / SENSOR



MODELLO D'ORDINE / ORDER EXAMPLE / BESTELLBEISPIEL / MODÈLE DE COMMANDE

MODEL **0150.0180** INCLINATION **-10°** OPTION CODE **9003.0002**