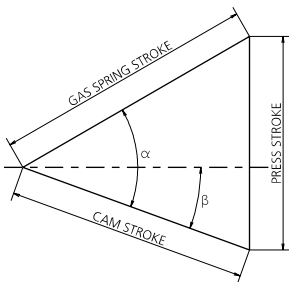
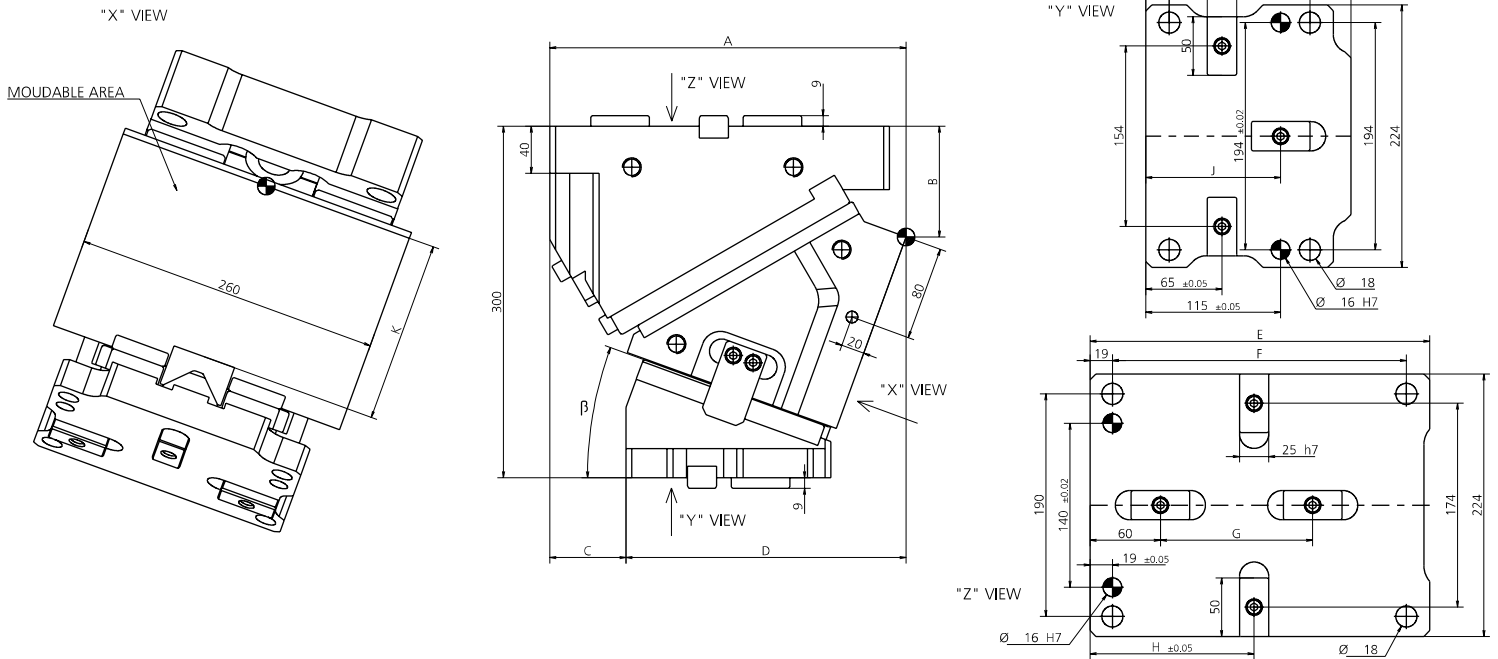


POS.	DESCRIPTION	Q.TY
001	CUNEO / WEDGE / DRUCKKEIL	1
002	SLITTA / SLIDER / LAGERKEIL	1
003	CORPO CAMMA / CAM BODY / GRUNDGEHÄUSE	1
004	STAFFA DI AGGANCIO / BRACKET ATTACHMENTS / BRACKETBEFESTIGUNG	2
005	AGGANCIO SLITTA / SLIDE ATTACHMENT / SCHLITTENBEFESTIGUNG	1
006	CHIAVETTA / KEY / SCHLÜSSEL	7
007	CHIAVETTA / KEY / SCHLÜSSEL	1
008	PIASTRA DI SCORRIMENTO / WEAR PLATE / DRUCKPLATTE	1
009	CILINDRO AD AZOTO / NITROGEN CYLINDER / STICKSTOFFZYLINDER	1
010	PUNTALINO / BUMP STOP / STOSSDÄMPFERSPITZE	2

POS.	DESCRIPTION	Q.TY
011	SENSORE DI SICUREZZA / SECURITY SENSOR / SENSOR FÜR SICHERHEIT	1*OPTION
012	FINECORSO / LIMIT SWITCHES / ENDSCHALTER	1
014	FINECORSO / LIMIT SWITCHES / ENDSCHALTER	2
015	PIASTRA DI SCORRIMENTO / WEAR PLATE / DRUCKPLATTE	2
016	PIASTRA DI SCORRIMENTO / WEAR PLATE / DRUCKPLATTE	2
017	PIASTRA DI SCORRIMENTO / WEAR PLATE / DRUCKPLATTE	1
018	PIASTRA DI SCORRIMENTO / WEAR PLATE / DRUCKPLATTE	2
019	PIASTRA DI SCORRIMENTO / WEAR PLATE / DRUCKPLATTE	1
020	PIASTRA DI SCORRIMENTO / WEAR PLATE / DRUCKPLATTE	1



β	α	PRESS STROKE	GAS SPRING STROKE	CAM STROKE	EXTRACTION FORCE (daN)	CUTTING FORCE (daN)
0°	50°	39.1	51	32.8	1820	60300
5°	50°	39.2	51	36.2	1820	60300
10°	50°	39.7	51	39.7	1810	60300
15°	50°	40.5	51	43.3	1810	60300
20°	50°	41.6	51	47.0	1810	60300
25°	50°	43.1	51	51.0	1800	60300
30°	50°	45.1	51	55.3	1800	60300
35°	50°	47.7	51	60.1	1800	60300
40°	50°	51.0	51	65.6	1790	60300
45°	50°	55.3	51	71.9	1790	60300
50°	50°	60.8	51	79.3	1780	60300
55°	55°	72.8	51	88.9	1940	60300
60°	60°	88.3	51	102.0	2150	60300
65°	65°	98.6	46	108.8	2340	60300
70°	70°	112.6	41	119.9	2620	60300
75°	75°	115.7	31	119.8	3070	60300



CODE	β	A	B	C	D	E	F	G	H	J	K
0154.26**-00	0°	291	67	116	175	270	231	115	130	115	155
0154.26**-05	5°	294.87	75.71	103	191.87	275	236	120	135	115	155
0154.26**-10	10°	299.34	82.22	91	208.34	280	241	125	140	115	155
0154.26**-15	15°	301.43	88.49	77	224.43	285	246	130	140	115	155
0154.26**-20	20°	304.16	94.48	65	239.16	290	251	130	140	115	155
0154.26**-25	25°	306.55	100.18	55	251.55	295	256	135	140	125	155
0154.26**-30	30°	305.63	108.55	39	266.63	300	261	135	140	125	155
0154.26**-35	35°	306.43	117.57	25	281.43	305	266	140	140	125	155
0154.26**-40	40°	302.99	128.21	7	295.99	305	266	145	140	125	155
0154.26**-45	45°	298.33	147.45	-9	307.33	305	266	150	140	125	155
0154.26**-50	50°	293.5	157.27	-25	318.5	305	266	150	140	140	155
0154.26**-55	55°	290.25	161.13	-44	334.25	305	266	150	140	140	168
0154.26**-60	60°	284.45	161.36	-56	340.45	305	266	150	140	140	160
0154.26**-65	65°	285.31	165.7	-71	356.31	305	266	150	140	140	160
0154.26**-70	70°	285.62	176.95	-90	375.62	305	266	150	140	140	160
0154.26**-75	75°	280.77	184.35	-107	387.77	305	266	150	140	140	160

CAM COD.	GAS SPRING	KEYS	ANGLE
	1=STANDARD GAS SPRING	1=KEYS MOUNTED	
0154.26	2= GAS SPRING NOT FILLED	2= KEYS ONLY ADDED, NOT MOUNTED	-00= ANGLE (FROM 0° TO 75°)
	3= WITHOUT GAS SPRING	3= WITHOUT KEYS	

11 PATENT PENDING

11 (9003) SENSORE / SENSOR / SENSOR



ESEMPIO / EXAMPLES/ BEISPIELE / EXEMPLES

0154.2611-20 = CAM UNIT 0154.26, STANDARD GAS SPRING (1), KEYS MOUNTED (1), ANGLE 20°

0154.2632-50 = CAM UNIT 0154.26, WITHOUT GAS SPRING (3), KEYS ANLY ADDED, NOT MOUNTED (2), ANGLE 50°