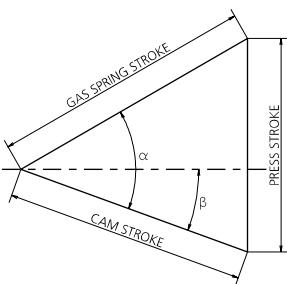
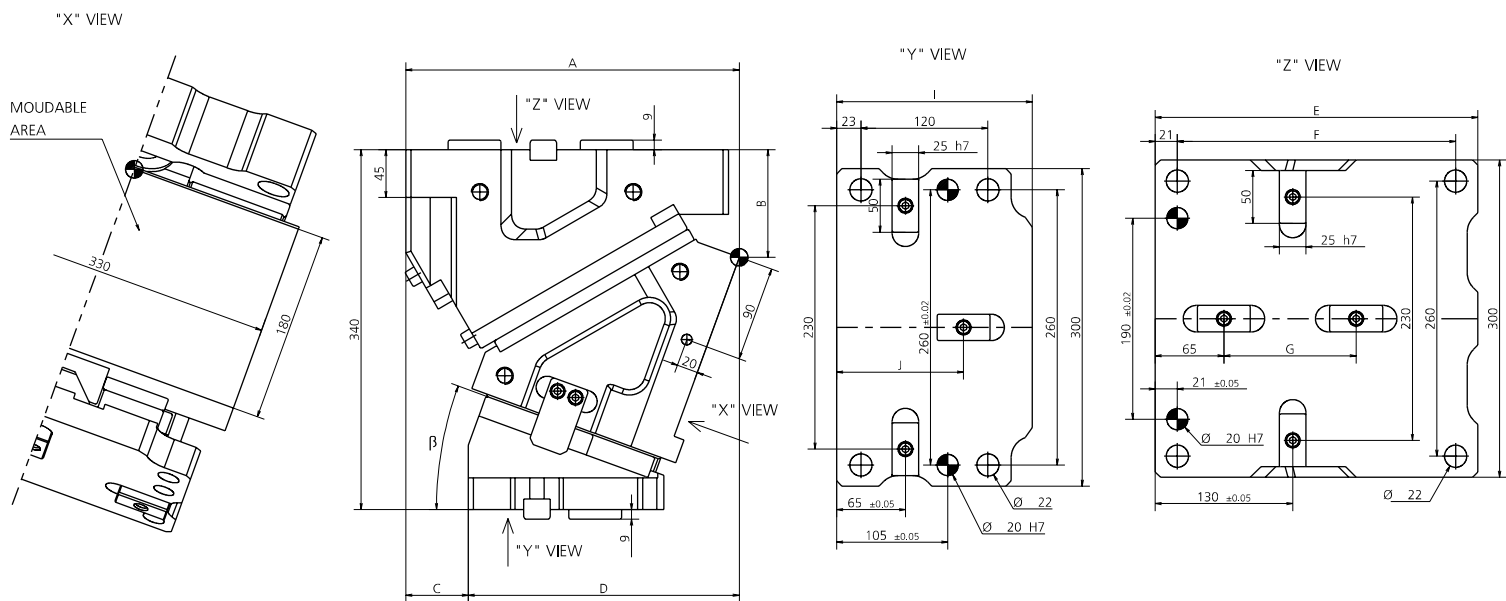


POS.	DESCRIPTION	Q.TY
001	CUNEO / WEDGE / DRUCKKEIL	1
002	SLITTA / SLIDER / LAGERKEIL	1
003	CORPO CAMMA / CAM BODY / GRUNDGEHÄUSE	1
004	STAFFA DI AGGANCIO / BRACKET ATTACHMENTS / BRACKETBEFESTIGUNG	2
005	AGGANCIO SLITTA / SLIDE ATTACHMENT / SCHLITTENBEFESTIGUNG	1
006	CHIAVETTA / KEY / SCHLÜSSEL	7
007	CHIAVETTA / KEY / SCHLÜSSEL	1
008	PIASTRA DI SCORRIMENTO / WEAR PLATE / DRUCKPLATTE	1
009	CILINDRO AD AZOTO / NITROGEN CYLINDER / STICKSTOFFZYLINDER	1
010	PUNTALINO / BUMP STOP / STOSSDÄMPFERSPITZE	3

POS.	DESCRIPTION	Q.TY
011	SENSORE DI SICUREZZA / SECURITY SENSOR / SENSOR FÜR SICHERHEIT	1*OPTION
012	FINECORSO / LIMIT SWITCHES / ENDSCHALTER	1
014	FINECORSO / LIMIT SWITCHES / ENDSCHALTER	2
015	PIASTRA DI SCORRIMENTO / WEAR PLATE / DRUCKPLATTE	2
016	PIASTRA DI SCORRIMENTO / WEAR PLATE / DRUCKPLATTE	2
017	PIASTRA DI SCORRIMENTO / WEAR PLATE / DRUCKPLATTE	1
018	PIASTRA DI SCORRIMENTO / WEAR PLATE / DRUCKPLATTE	2
019	PIASTRA DI SCORRIMENTO / WEAR PLATE / DRUCKPLATTE	1
020	PIASTRA DI SCORRIMENTO / WEAR PLATE / DRUCKPLATTE	1



β	α	PRESS STROKE	GAS SPRING STROKE	CAM STROKE	EXTRACTION FORCE (daN)	CUTTING FORCE (daN)
0°	50°	39.1	51	32.8	2990	73500
5°	50°	39.2	51	36.2	2980	73500
10°	50°	39.7	51	39.7	2980	73500
15°	50°	40.4	51	43.3	2970	73500
20°	50°	41.6	51	47.0	2960	73500
25°	50°	43.1	51	51.0	2960	73500
30°	50°	45.1	51	55.3	2950	73500
35°	50°	47.7	51	60.1	2940	73500
40°	50°	51.0	51	65.6	2940	73500
45°	50°	55.3	51	71.9	2930	73500
50°	50°	60.8	51	79.3	2920	73500
55°	55°	72.8	51	88.9	3180	73500
60°	60°	88.3	51	102.0	3510	73500
65°	65°	98.6	46	108.8	3830	73500
70°	70°	112.6	41	119.9	4280	73500
75°	75°	115.7	31	119.8	5030	73500



CODE	β	A	B	C	D	E	F	G	I	J
0154.33**-00	0°	295	68	115	180	280	238	190	185	125
0154.33**-05	5°	305.13	77.72	106	199.13	290	248	200	185	125
0154.33**-10	10°	308.87	86.26	90	218.87	295	253	205	185	120
0154.33**-15	15°	312.21	94.59	74	238.21	300	258	210	185	120
0154.33**-20	20°	315.18	101.67	59	256.18	305	263	125	185	120
0154.33**-25	25°	312.82	108.46	40	272.82	305	263	125	185	125
0154.33**-30	30°	312.13	115.95	23	289.13	310	268	130	185	125
0154.33**-35	35°	312.16	127.11	9	303.16	310	268	130	185	125
0154.33**-40	40°	308.92	138.91	-17	325.92	310	268	135	185	125
0154.33**-45	45°	303.46	154.33	-33	336.46	310	268	150	185	125
0154.33**-50	50°	301.8	171.35	-49	350.8	315	273	150	185	125
0154.33**-55	55°	292.97	179.42	-72	364.97	315	273	150	178	125
0154.33**-60	60°	288.72	178.36	-88	376.72	315	273	150	178	140
0154.33**-65	65°	291.61	187.08	-101	392.61	315	273	150	178	140
0154.33**-70	70°	288.88	197.14	-121	409.88	315	273	150	178	140
0154.33**-75	75°	283.54	196.04	-143	426.54	315	273	150	178	140

CAM COD.	GAS SPRING	KEYS	ANGLE
	1=STANDARD GAS SPRING	1=KEYS MOUNTED	
0154.33	2= GAS SPRING NOT FILLED	2= KEYS ONLY ADDED, NOT MOUNTED	-00= ANGLE (FROM 0° TO 75°)
	3= WITHOUT GAS SPRING	3= WITHOUT KEYS	

11 PATENT PENDING

11 (9003) SENSORE / SENSOR / SENSOR



ESEMPIO / EXAMPLES/ BEISPIELE / EXEMPLES

0154.3311-20 = CAM UNIT **0154.33**, STANDARD GAS SPRING (1), KEYS MOUNTED (1), ANGLE **20°**

0154.3332-50 = CAM UNIT **0154.33**, WITHOUT GAS SPRING (3), KEYS ONLY ADDED, NOT MOUNTED (2), ANGLE **50°**