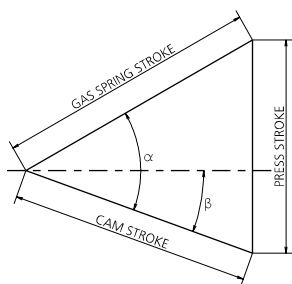
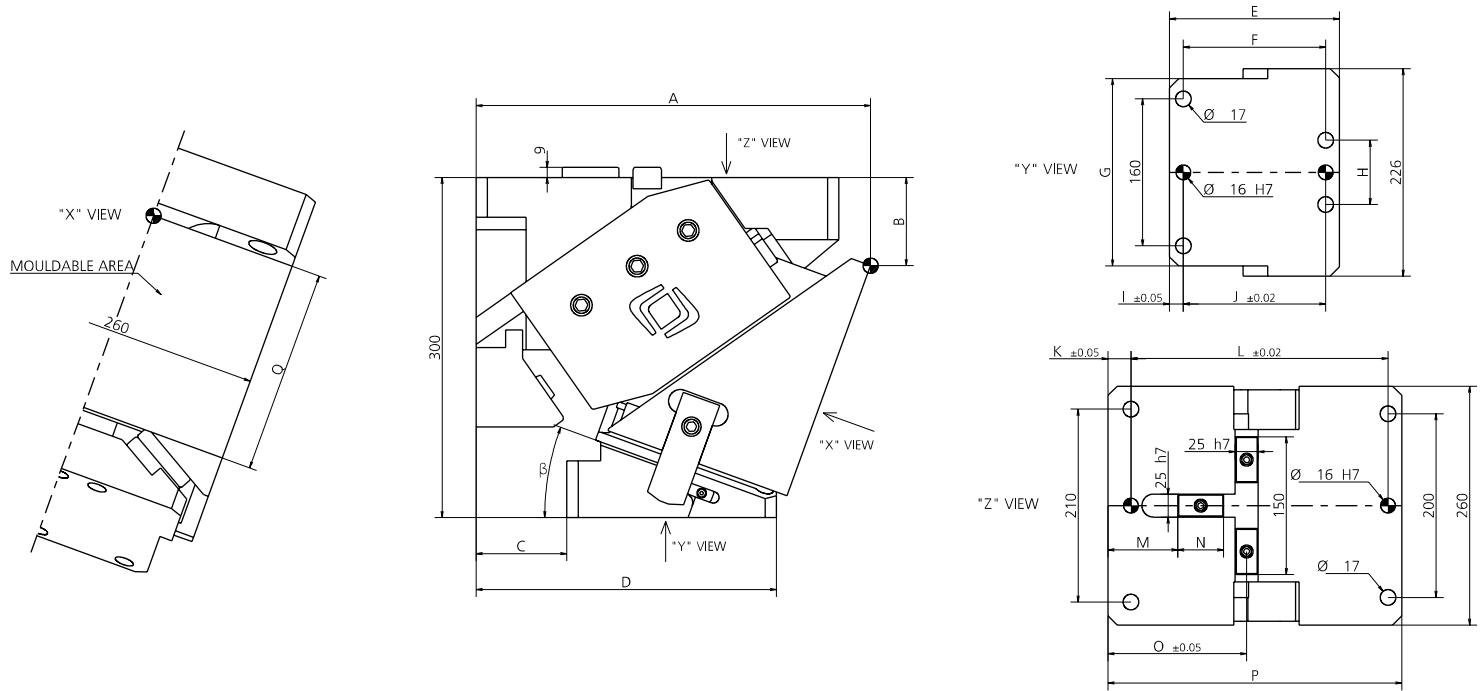


POS.	DESCRIPTION	Q.TY
001	CUNEO / WEDGE / DRUCKKEIL	1
002	SLITTA / SLIDER / LAGERKEIL	1
003	CORPO CAMMA / CAM BODY / GRUNDGEHÄUSE	1
004	STAFFA DI AGGANCIO / BRACKET ATTACHMENTS / BRACKETBEFESTIGUNG	2
005	PIASTRINA / PLATE / PLATTE	1
006	DISTANZIALE / SPACER / ABSTANDSHALTER	1
007	STAFFA / BRACKET / BRACKET	1
008	STAFFA / BRACKET / BRACKET	1
009	FINECORSA / LIMIT SWITCHES / ENDSCHALTER	2
010	PIASTRA DI SCORRIMENTO / WEAR PLATE / DRUCKPLATTE	2

POS.	DESCRIPTION	Q.TY
011	CILINDRO AD AZOTO / NITROGEN CYLINDER / STICKSTOFFZYLINDER	1
012	PUNTALINO / BUMP STOP / STOSSDÄMPFERSPITZE	2
013	SENSORE DI SICUREZZA / SECURITY SENSOR / SENSOR FÜR SICHERHEIT	1*OPTION
014	PIASTRA DI SCORRIMENTO / WEAR PLATE / DRUCKPLATTE	2
015	CHIAVETTA / KEY / SCHLÜSSEL	3
016	CHIAVETTA / KEY / SCHLÜSSEL	2
017	PIASTRA DI SCORRIMENTO / WEAR PLATE / DRUCKPLATTE	4
018	FINECORSA / LIMIT SWITCHES / ENDSCHALTER	1
019	PIASTRA DI SCORRIMENTO / WEAR PLATE / DRUCKPLATTE	2



β	α	PRESS STROKE	GAS SPRING STROKE	CAM STROKE	EXTRACTION FORCE (daN)	CUTTING FORCE (daN)
0°	50°	38.3	50	32.14	3050	53600
5°	50°	38.45	50	35.49	3080	56400
10°	55°	41.59	50	35.9	3130	59300
15°	55°	42.4	50	39.65	3170	62100
20°	55°	43.59	50	43.59	3240	65000
25°	60°	47.78	50	45.19	3270	67300
30°	60°	50	50	50	3370	69000
35°	65°	55.32	50	52.86	3390	70800
40°	65°	59.16	50	59.16	3520	73700
45°	70°	66.45	50	64.09	3520	74400
50°	70°	73.1	50	73.1	3700	74700
55°	75°	84.2	50	81.92	3690	75100
60°	75°	96.59	50	96.59	3950	75500
65°	80°	93.21	40	91.42	4070	75900
70°	80°	100.78	35	100.78	4570	76300
75°	85°	96.23	25	95.13	4530	76700



CODE	β	A	B	C	D	E	F	G	H	I	J	K	L	M	N	O	P	Q
0150.0260-00	0°	308	60	80	295	215	155	204	70	15	155	25	280	63.5	50	127	320	160
0150.0260-05	5°	317.63	64.37	80	290	210	155	204	90	15	155	25	280	70.5	50	134	320	160
0150.0260-10	10°	323.81	89.28	80	280	200	155	204	70	15	155	25	280	78.5	50	142	320	160
0150.0260-15	15°	331.7	94.96	80	270	190	155	204	70	15	155	25	280	76	50	151	320	160
0150.0260-20	20°	337.8	106.02	80	265	185	155	204	70	15	155	25	280	76	50	151	320	160
0150.0260-25	25°	345.05	112.89	60	255	195	150	204	70	15	150	15	330	52.5	120	167.5	360	160
0150.0260-30	30°	357.11	116.73	60	250	190	150	204	70	15	150	15	330	60	120	175	360	160
0150.0260-35	35°	362.94	132.76	60	245	185	150	204	70	15	150	15	330	62.5	130	182.5	360	160
0150.0260-40	40°	373.16	142.98	60	240	180	150	204	70	15	150	15	330	70	130	190	360	160
0150.0260-45	45°	348.64	154.39	45	205	160	130	204	70	15	130	15	335	71	100	161	365	160
0150.0260-50	50°	355.42	170.24	45	205	160	130	204	70	15	130	15	335	79	100	167	365	160
0150.0260-55	55°	361.67	186.67	45	215	170	130	204	70	15	130	15	335	64.5	100	152.5	365	160
0150.0260-60	60°	371.66	201.11	45	205	160	130	204	70	15	130	15	335	49.5	120	159.5	365	160
0150.0260-65	65°	367.84	213.13	45	211	166	120	204	70	20	120	15	335	49.5	120	159.5	365	160
0150.0260-70	70°	372.05	220.55	45	210	165	130	226	90	15	130	15	335	49.5	120	159.5	365	160
0150.0260-75	75°	352.07	246.93	35	185	150	115	226	90	15	115	15	335	49.5	120	159.5	365	160

13 PATENT PENDING

13 (9003) SENSORE / SENSOR / SENSOR



MODELLO D'ORDINE / ORDER EXAMPLE / BESTELLBEISPIEL / MODÈLE DE COMMANDE

MODEL **0150.0260** INCLINAZIONE **-10°** OPTION CODE **9003.0002**